

DESCRIPTION : ABOVE PCB, DECK AND PUSH ROD LOCATION ARE AS VIEW BY USER.

PRODUCT NO.	PUSH ROD LOCATION		STAND-OFF HEIGHT	CLOSEST TO PCB	FARTHEST FROM PCB	MATING RECEPTACLE ④	P.C.B SIDE	RECOMMENDED P.C.B LAYOUT (SEE PAGE 6&7)	MOUNT STYLE TO PCB AND PUSH ROD SIDE		
	DECK CLOSEST TO PCB	DECK FARTHEST TO PCB		②	③						
① 95562-****	RIGHT	RIGHT	0.0	EJ HDR ASS'Y ②	EJ HDR ASS'Y ③	RECEPTACLE PART NO. 91931-31169	ABOVE	LAYOUT 1			
200CA/200CALF	RIGHT	RIGHT	2.2	95620-002CA/002CALF	95547-005CA/005CALF			LAYOUT 2			
220CA	RIGHT	RIGHT	4.3	95547-020CA	95547-025CA			LAYOUT 3			
240CA	RIGHT	RIGHT	5.0	95547-040CA	95547-045CA			LAYOUT 3			
250CA	RIGHT	RIGHT	0.0	95547-050CA	95547-055CA			LAYOUT 1			
300CA	LEFT	LEFT	2.2	95620-102CA	95547-105CA			LAYOUT 2			
320CA	LEFT	LEFT	4.3	95547-120CA	95547-125CA		LAYOUT 3				
340CA	LEFT	LEFT	5.0	95547-140CA	95547-145CA		LAYOUT 3				
350CA	LEFT	LEFT	0.0	95547-150CA	95547-155CA		LAYOUT 3				
700CA	RIGHT	RIGHT	2.2	95620-502CA	95547-505CA		LAYOUT 4				
720CA	RIGHT	RIGHT	4.3	95547-520CA	95547-525CA	LAYOUT 5	RECEPTACLE PART NO. 91931-31169	BELOW	LAYOUT 6		
740CA	RIGHT	RIGHT	5.0	95547-540CA	95547-545CA	LAYOUT 6					
750CA	RIGHT	RIGHT	0.0	95547-550CA	95547-555CA	LAYOUT 6					
800CA	LEFT	LEFT	2.2	95620-602CA	95547-605CA	LAYOUT 4		BELOW	LAYOUT 5		
820CA	LEFT	LEFT	4.3	95547-620CA	95547-625CA	LAYOUT 5					
840CA	LEFT	LEFT	5.0	95547-640CA	95547-645CA	LAYOUT 6					
850CA	LEFT	LEFT	0.0	95547-650CA	95547-655CA	LAYOUT 6					

ORDERING INFORMATION

NAME	PART NO.	Q'TY
① EJECT HEADER ASS'Y	95562-****	1
④ MATING RECEPTACLE	91931-31169	2

OR

ORDERING INFORMATION

NAME	PART NO.	Q'TY
② DECK CLOSEST TO PCB	95547-****	1
③ DECK FARTHEST FROM PCB	95547-****	1
④ MATING RECEPTACLE	91931-31169	2

OR

ORDERING INFORMATION

NAME	PART NO.	Q'TY
② DECK CLOSEST TO PCB	95620-****	1
③ DECK FARTHEST FROM PCB	95547-****	1
④ MATING RECEPTACLE	91931-31169	1

mat'l code		tolerance unless otherwise specified		CUSTOMER COPY		www.fciconnect.com					
rev.	ecn no.	dr	date	linear		± 0.30	projection	title			
J	N05-0127	W	B05/11/05				EJECTOR HEADER ASS'Y				
K	N06-0135	C	M05/22/06	angles	± 2'		product family	PCMCA			
E	T00018	W	L02/01/00	dr	WENDY CHEN	02/14/95	code				
F	T10149	W	L05/18/01	enr	JOSEPH HSIA	02/14/95	size				
G	T20187	W	L06/13/02	chr	JOSEPH HSIA	02/14/95	dwg no.				
H	T03-0209	W	L06/05/03	appd	JENN TSAO	02/14/95	scale				
sheet	revision	K	K	J	J	J	J	1:1	A3	95562	sheet 1 of 9
index	sheet	1	2	3	4	5	6	7	8	9	

All rights strictly reserved. Reproduction or issue to third parties in any form without written authority from the proprietor. Property of c BERG ELECTRONICS. Copyright BERG ELECTRONICS by

1

2

3

4

5

6

DESCRIPTION : ABOVE PCB, DECK AND PUSH ROD LOCATION ARE AS VIEW BY USER.

PRODUCT NO.	PUSH ROD LOCATION		STAND-OFF HEIGHT	CLOSEST TO PCB	FARTHEST FROM PCB	MATING RECEPTACLE	P.C.B SIDE	RECOMMENDED P.C.B LAYOUT (SEE PAGE 6&7)	MOUNT STYLE TO PCB AND PUSH ROD SIDE
	DECK CLOSEST TO PCB	DECK FARTHEST TO PCB		(B)	(C)				
(A) 95562-****	RIGHT	RIGHT	0.0	EJ HDR ASS'Y	EJ HDR ASS'Y	(D)			
200CA/200CALF	RIGHT	RIGHT	0.0	95620-002CA/002CALF	95547-005CA/005CALF	RECEPTACLE PART NO. 91931-31169LF	ABOVE	LAYOUT 1	
220CALF	RIGHT	RIGHT	2.2	95547-020CALF	95547-025CALF			LAYOUT 2	
240CALF	RIGHT	RIGHT	4.3	95547-040CALF	95547-045CALF			LAYOUT 3	
250CALF	RIGHT	RIGHT	5.0	95547-050CALF	95547-055CALF			LAYOUT 3	
300CA	LEFT	LEFT	0.0	95620-102CA	95547-105CA			LAYOUT 1	
320CALF	LEFT	LEFT	2.2	95547-120CALF	95547-125CALF			LAYOUT 2	
340CALF	LEFT	LEFT	4.3	95547-140CALF	95547-145CALF			LAYOUT 3	
350CALF	LEFT	LEFT	5.0	95547-150CALF	95547-155CALF			LAYOUT 3	
700CA	RIGHT	RIGHT	0.0	95620-502CA	95547-505CA	RECEPTACLE PART NO. 91931-31169LF	BELOW	LAYOUT 4	
720CALF	RIGHT	RIGHT	2.2	95547-520CALF	95547-525CALF			LAYOUT 5	
740CALF	RIGHT	RIGHT	4.3	95547-540CALF	95547-545CALF			LAYOUT 6	
750CALF	RIGHT	RIGHT	5.0	95547-550CALF	95547-555CALF			LAYOUT 6	
800CA	LEFT	LEFT	0.0	95620-602CA	95547-605CA			LAYOUT 4	
820CALF	LEFT	LEFT	2.2	95547-620CALF	95547-625CALF			LAYOUT 5	
840CALF	LEFT	LEFT	4.3	95547-640CALF	95547-645CALF			LAYOUT 6	
850CALF	LEFT	LEFT	5.0	95547-650CALF	95547-655CALF			LAYOUT 6	

ORDERING INFORMATION

NAME	PART NO.	Q'TY
(A) EJECT HEADER ASS'Y	95562-****LF	1
(D) MATING RECEPTACLE	91931-31169LF	2

OR

ORDERING INFORMATION

NAME	PART NO.	Q'TY
(B) DECK CLOSEST TO PCB	95547-****LF	1
(C) DECK FARTHEST FROM PCB	95547-****LF	1
(D) MATING RECEPTACLE	91931-31169LF	2

OR

ORDERING INFORMATION

NAME	PART NO.	Q'TY
(B) DECK CLOSEST TO PCB	95620-****LF	1
(C) DECK FARTHEST FROM PCB	95547-****LF	1
(D) MATING RECEPTACLE	91931-31169LF	1

mat'l code		tolerance unless otherwise specified		CUSTOMER COPY				www.fclconnect.com	
rev. K	ecn no.	dr	date	linear	± 0.30	projection	title EJECTOR HEADER ASS'Y 5.0V SMT, TYPE 1/2/3		
				angles	± 2'		product family PCMCIA code		
				dr MENDY CHEN	02/14/95	unit	size dwg no.		
				enrg JOSEPH HSIAO	02/14/95	mm/inch	95562		
				chr JOSEPH HSIAO	02/14/95	scale	sheet 2 of		
				appd JENN TSAO	02/14/95	1:1			
sheet index	revision sheet								

Tous droits strictement reserves. Reproduction ou communication a des tiers int sous quelque forme que ce soit sans autorisation ecrite du propriétaire. Property of c BERG ELECTRONICS. Droits de reproduction BERG ELECTRONICS by

All rights strictly reserved. Reproduction or issues to third parties in any form without written authority from the proprietor. Property of c BERG ELECTRONICS. Copyright BERG ELECTRONICS by

1

2

3

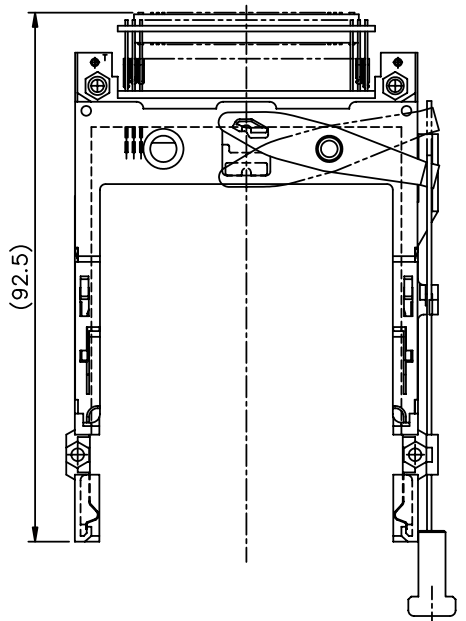
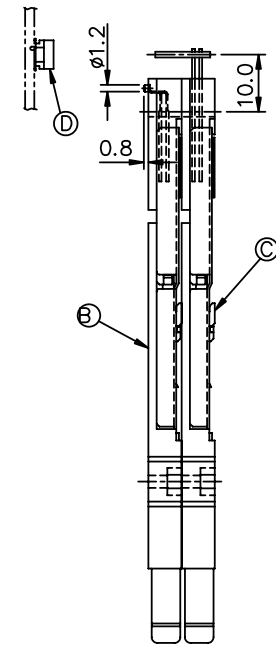
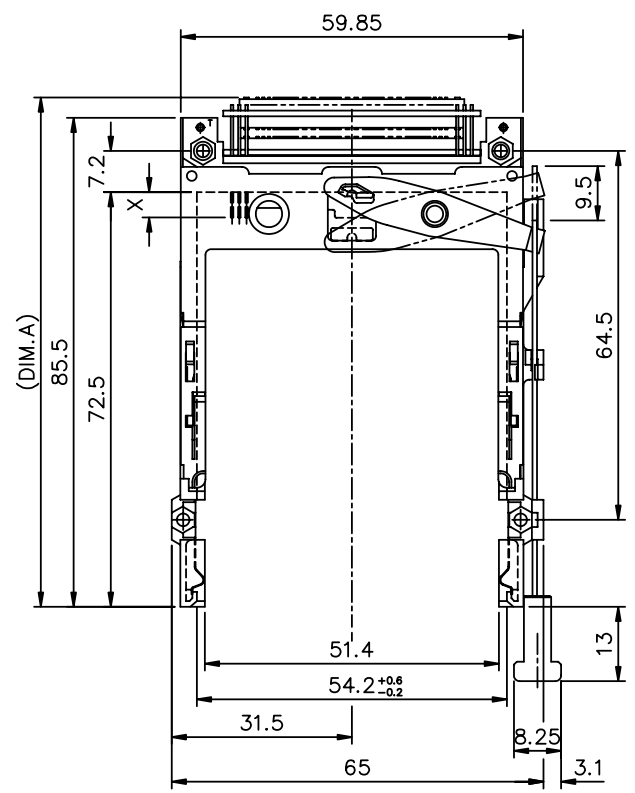
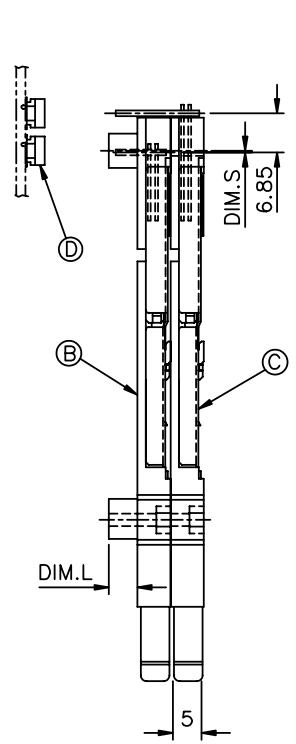
4

5

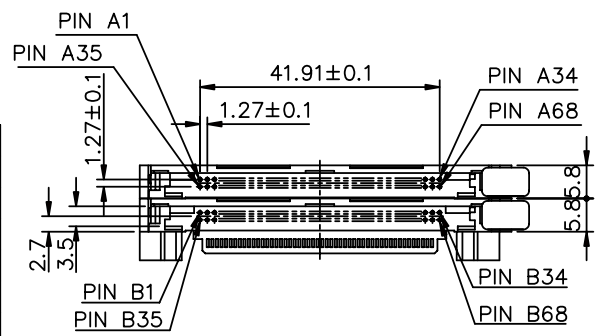
6

Tous droits strictement réservés. Reproduction ou communication à des tiers sans autorisation écrite du propriétaire.
 Property of c BERG ELECTRONICS.
 Copyright BERG ELECTRONICS by

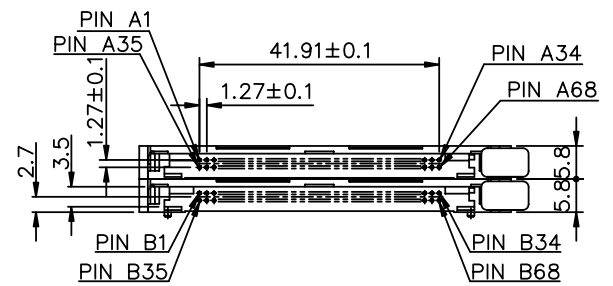
All rights strictly reserved. Reproduction or issue to third parties in any form without written authority from the proprietor.
 Property of c BERG ELECTRONICS.
 Copyright BERG ELECTRONICS by



① PART NUMBER	DIM.L	DIM.S	DIM.A
95562-220CA	2.2	2.15	91.5
95562-240CA	4.3	-0.3	89.05
95562-250CA	5.0	-0.3	89.05
95562-220CALF	2.2	2.15	91.5
95562-240CALF	4.3	-0.3	89.05
95562-250CALF	5.0	-0.3	89.05



P/N : 95562-2**CA/2**CALF
 (ABOVE P.C.B.)

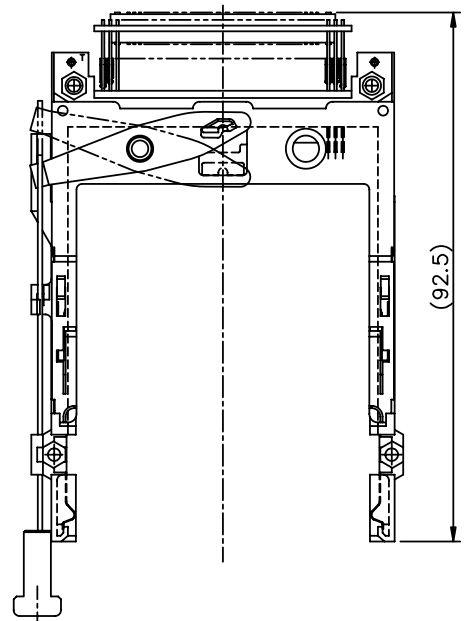
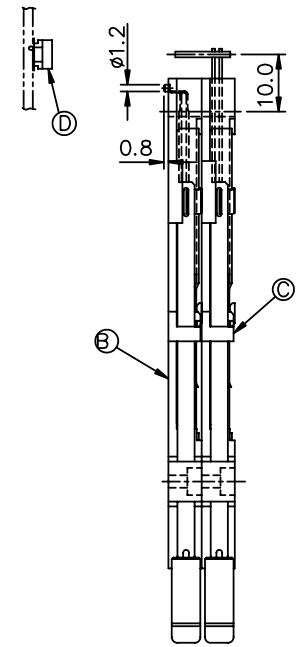
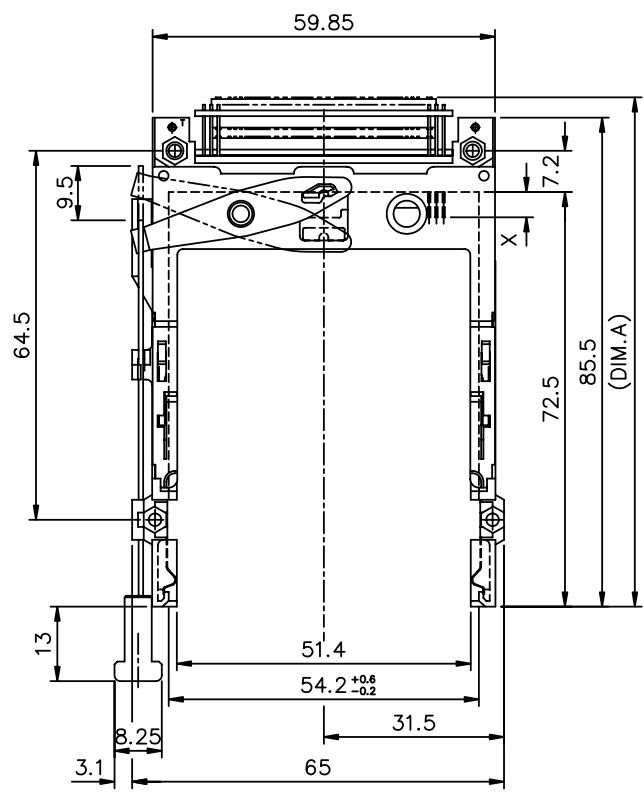
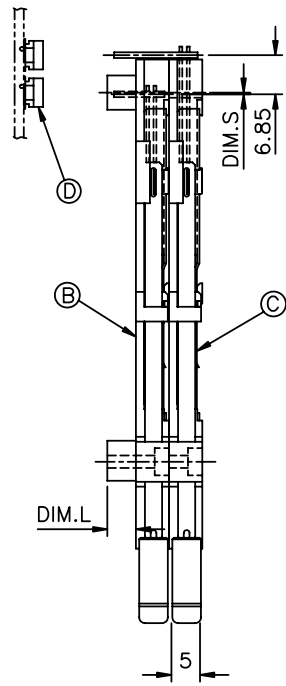


P/N : 95562-200CA
 (ABOVE P.C.B.)

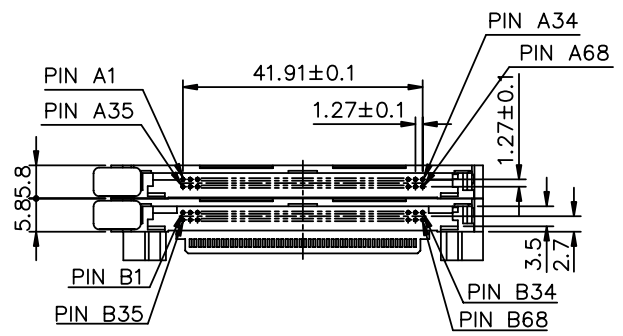
mat'l code		tolerance unless otherwise specified		CUSTOMER COPY	 www.fcjconnect.com	
rev.	ecn no.	dr	date	linear		± 0.30
J				angles	± 2°	
		dr	WENDY CHEN 02/14/95	unit	projection	
		enqr	JOSEPH HSIA 02/14/95	mm/inch		
		chr	JOSEPH HSIA 02/14/95	scale	title EJECTOR HEADER ASS'Y 5.0V SMT TYP 1/2/3	
		appd	LELAND WANG 02/14/95	1:2:1	product family PCMCIA code size dwg no. 95562 sheet 3 of	
sheet	revision					
index	sheet					

Tous droits strictement réservés. Reproduction ou communication à des tiers sans autorisation écrite du propriétaire. Property of c BERG ELECTRONICS. Copyright BERG ELECTRONICS by

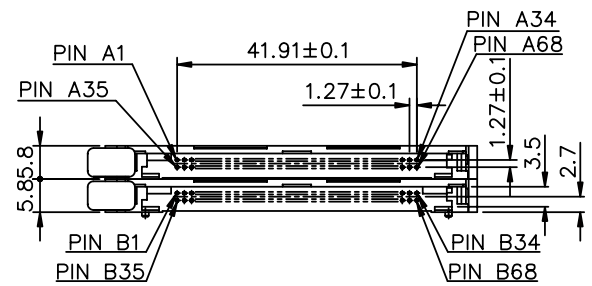
All rights strictly reserved. Reproduction or issue to third parties in any form without written authority from the proprietor. Property of c BERG ELECTRONICS. Copyright BERG ELECTRONICS by



① PART NUMBER	DIM.L	DIM.S	DIM.A
95562-320CA	2.2	2.15	91.5
95562-340CA	4.3	-0.3	89.05
95562-350CA	5.0	-0.3	89.05
95562-320CALF	2.2	2.15	91.5
95562-340CALF	4.3	-0.3	89.05
95562-350CALF	5.0	-0.3	89.05



P/N : 95562-3**CA/3**CALF
(ABOVE P.C.B.)

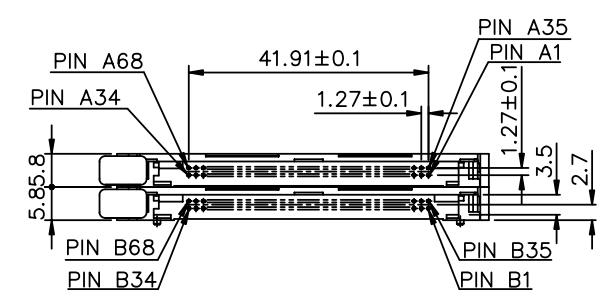
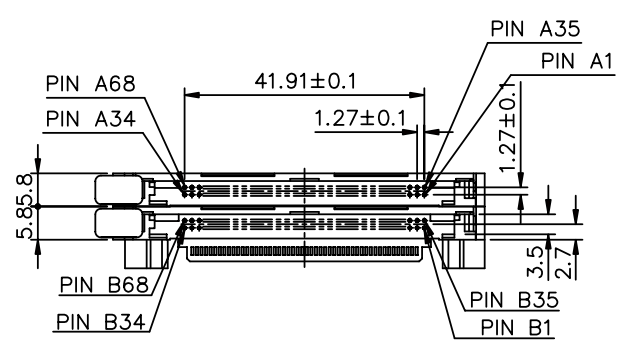
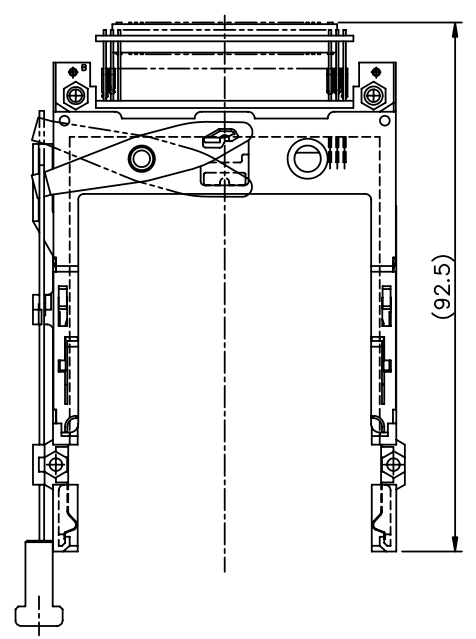
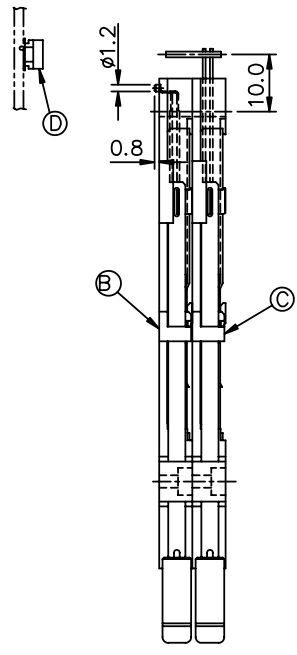
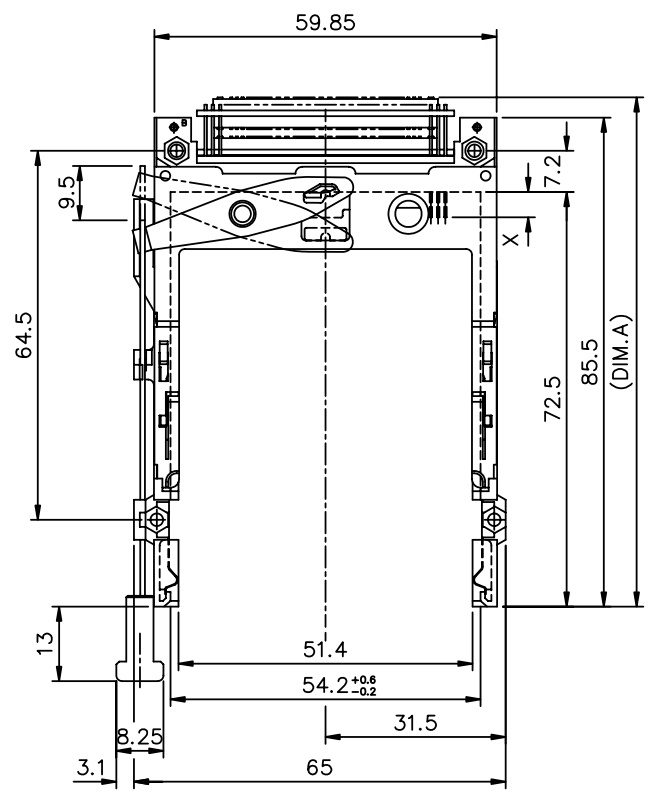
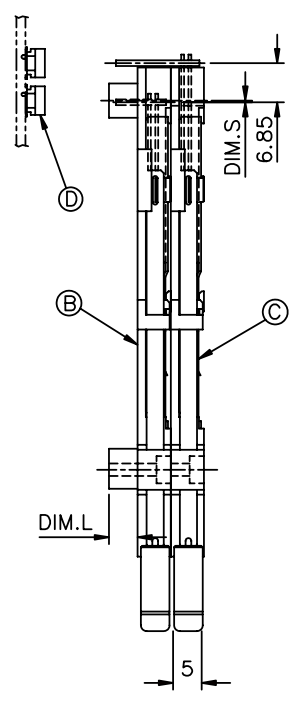


P/N : 95562-300CA
(ABOVE P.C.B.)

mat'l code				tolerance unless otherwise specified		CUSTOMER COPY		 www.fcjconnect.com	
rev. J	ecn no.	dr	date	linear	± 0.30	projection	title EJECTOR HEADER ASS'Y 5.0V SMT TYP 1/2/3		
				angles	± 2°		product family P0MCA		code
				dr WENDY CHEN	02/14/95	unit mm/inch	size dwg no.		sheet 4 of
				enrg JOSEPH HSIA	02/14/95	scale 1.2:1	A3 95562		
				chr JOSEPH HSIA	02/14/95				
				appd LELAND WANG	02/14/95				
sheet index	revision sheet								

Tous droits strictement réservés. Reproduction ou communication à des tiers sans autorisation écrite du propriétaire. Property of c BERG ELECTRONICS. Copyright BERG ELECTRONICS by

All rights strictly reserved. Reproduction or issue to third parties in any form without written authority from the proprietor. Property of c BERG ELECTRONICS. Copyright BERG ELECTRONICS by



(A) PART NUMBER	DIM.L	DIM.S	DIM.A
95562-720CA	2.2	2.15	91.5
95562-740CA	4.3	-0.3	89.05
95562-750CA	5.0	-0.3	89.05
95562-720CALF	2.2	2.15	91.5
95562-740CALF	4.3	-0.3	89.05
95562-750CALF	5.0	-0.3	89.05

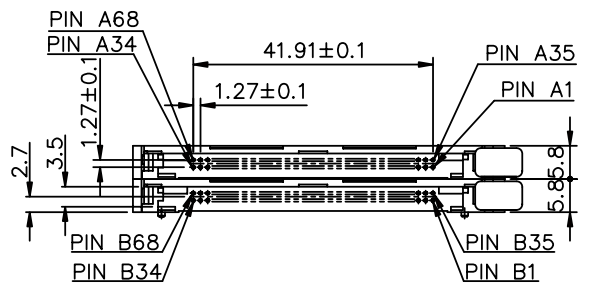
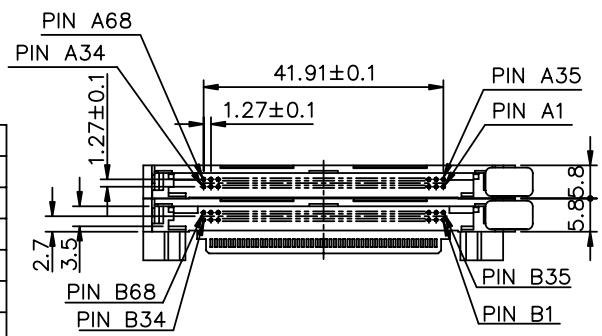
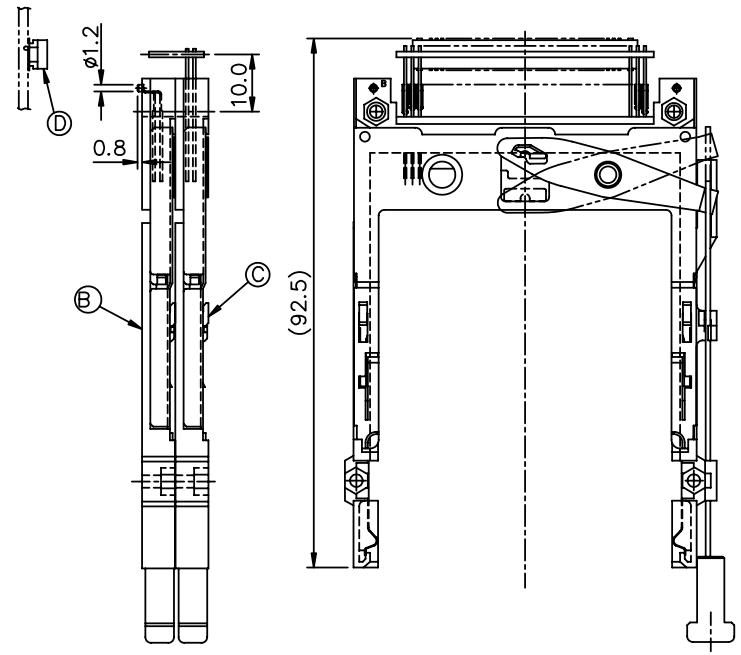
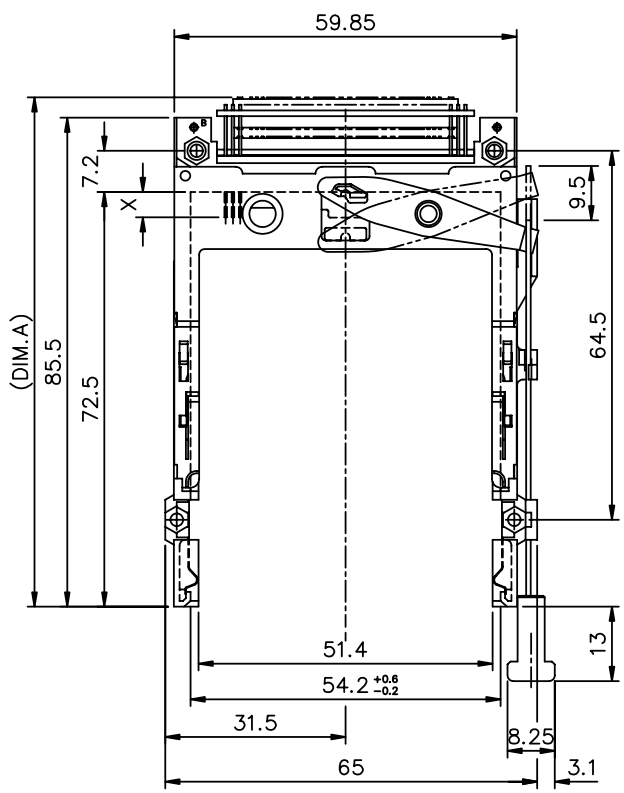
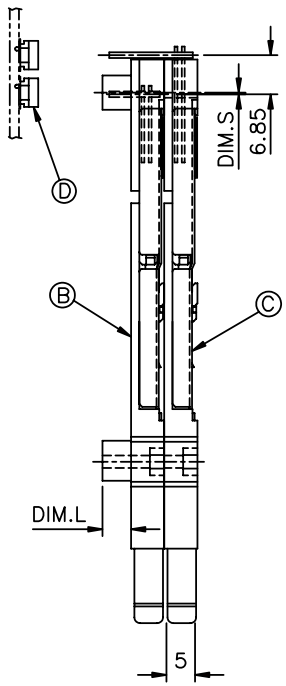
P/N : 95562-7**CA/7**CALF
(BELOW P.C.B.)

P/N : 95562-700CA
(BELOW P.C.B.)

mat'l code				tolerance unless otherwise specified		CUSTOMER COPY		 www.fcconnect.com	
rev.	ecn no.	dr	date	linear	± 0.30	projection	title EJECTOR HEADER ASS'Y 5.0V SMT TYP 1/2/3		
J				angles	± 2°		product family	POMCA	code
				dr	WENDY CHEN	02/14/95	unit	mm/inch	size
				enr	JOSEPH HSIA	02/14/95	scale	1.2:1	A3
				chr	JOSEPH HSIA	02/14/95	product family	POMCA	code
				appd	LELAND WANG	02/14/95	size	dwg no.	95562
sheet	revision								sheet
index	sheet								5 of

Tous droits strictement réservés. Reproduction ou communication à des tiers sans autorisation écrite du propriétaire.
 Copyright BERG ELECTRONICS BY
 Droits de reproduction BERG ELECTRONICS BY

All rights strictly reserved. Reproduction or issue to third parties in any form without written authority from the proprietor.
 Copyright BERG ELECTRONICS BY



P/N : 95562-800CA
 (BELOW P.C.B.)

① PART NUMBER	DIM.L	DIM.S	DIM.A
95562-820CA	2.2	2.15	91.5
95562-840CA	4.3	-0.3	89.05
95562-850CA	5.0	-0.3	89.05
95562-820CALF	2.2	2.15	91.5
95562-840CALF	4.3	-0.3	89.05
95562-850CALF	5.0	-0.3	89.05

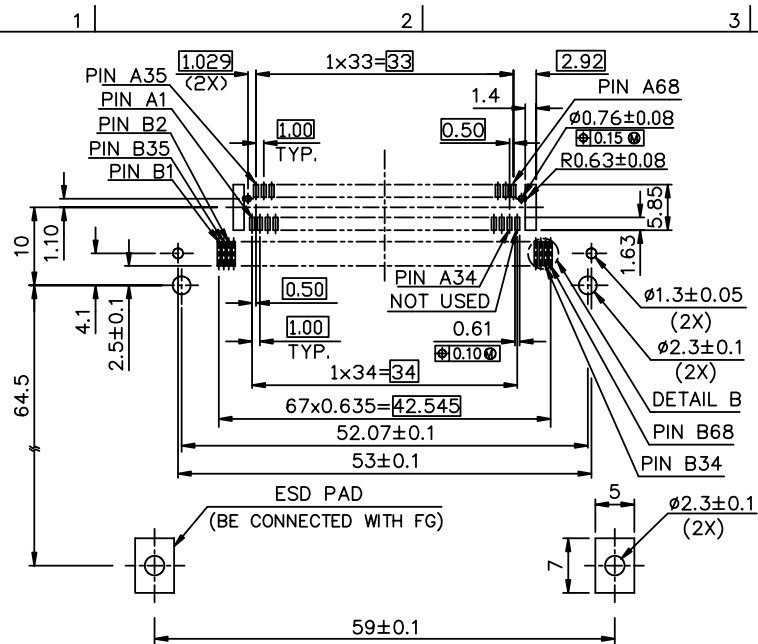
P/N : 95562-8**CA/8**CALF
 (BELOW P.C.B.)

mat'l code		tolerance unless otherwise specified		CUSTOMER COPY		 www.fciconnect.com	
rev.	ecn no.	dr	date	linear	± 0.30	projection	title
J				angles	± 2°		EJECTOR HEADER ASS'Y 5.0V SMT TYP 1/2/3
				dr	WENDY CHEN 02/14/95	unit	product family
				enqr	JOSEPH HSIA 02/14/95	mm/inch	PCMCIA
				chr	JOSEPH HSIA 02/14/95	scale	code
				appd	LELAND WANG 02/14/95	1.2:1	95562
sheet	revision			size	A3		dwg no.
index	sheet			scale	1.2:1		95562
				sheet	6 of		

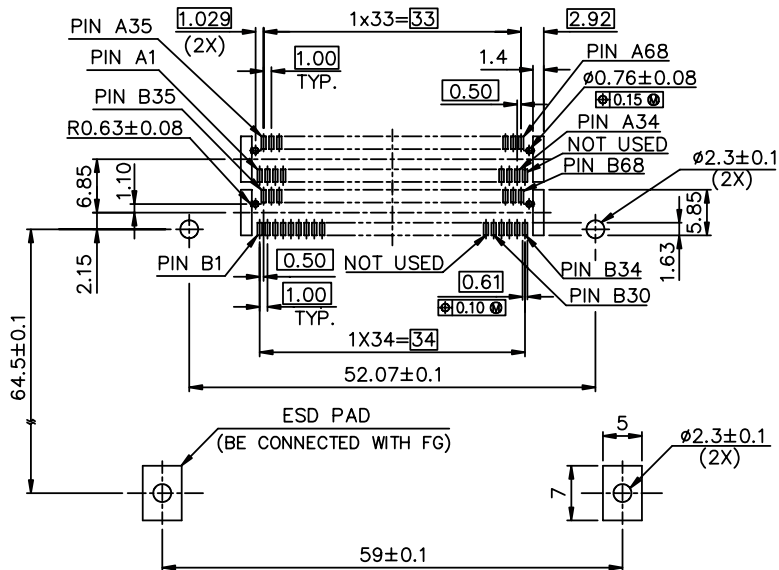
Tous droits strictement réservés. Reproduction ou communication, a des tiers int sous quelque forme que ce soit, sans autorisation écrite du propriétaire. Copyright BERG ELECTRONICS BV. Droits de reproduction BERG ELECTRONICS BV

All rights strictly reserved. Reproduction or issue to third parties in any form whatsoever is not permitted without written authority from the proprietor. Copyright BERG ELECTRONICS BV. All rights reserved. Reproduction or issue to third parties in any form whatsoever is not permitted without written authority from the proprietor. Copyright BERG ELECTRONICS BV

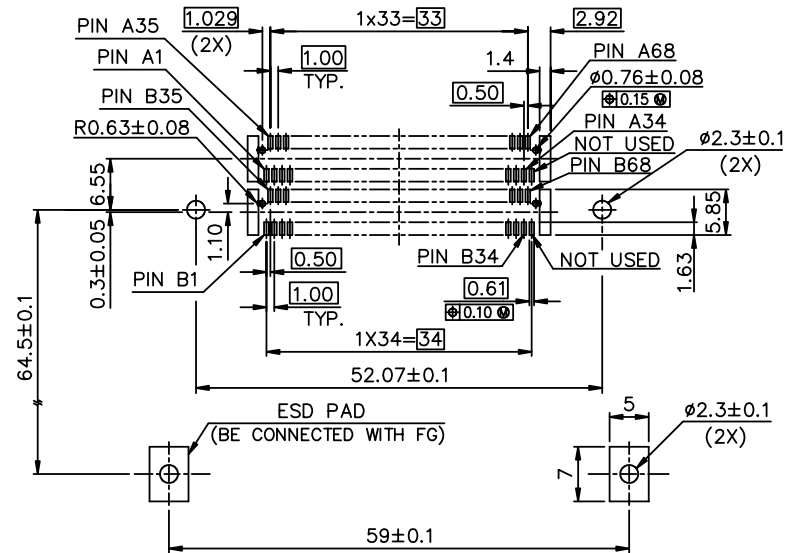
PRODUCT NO.	
95562-****	
95562-****LF	



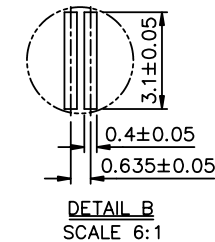
4 CARD INSERTION DIRECTION
RECOMMENDED P.C.B. LAYOUT 1 (MOUNTED SIDE)



4 CARD INSERTION DIRECTION
RECOMMENDED P.C.B. LAYOUT 2 (MOUNTED SIDE)



4 CARD INSERTION DIRECTION
RECOMMENDED P.C.B. LAYOUT 3 (MOUNTED SIDE)

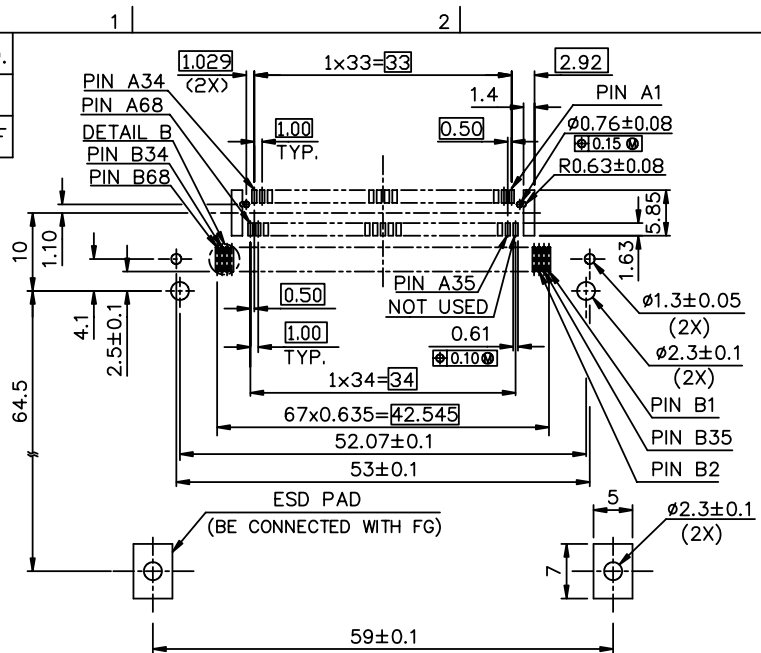


mat'l code		tolerance unless otherwise specified		CUSTOMER COPY	 www.fciconnect.com
rev.	ecn no.	dr	date	linear	
J				angles	± 2°
		dr	WENDY CHEN 02/08/95	unit	mm/inch
		enqr	JOSEPH HSIA 02/08/95	projection	
		chr	JOSEPH HSIA 02/08/95	product family	PCMQA
		appd	LELAND WANG 02/08/95	code	
		scale	1.5:1	title	EJECTOR HEADER ASS'Y 68POS.SMT TYPE 1/2/3
sheet	revision			product size	A3
index	sheet			product code	95562
				product sheet	7 of

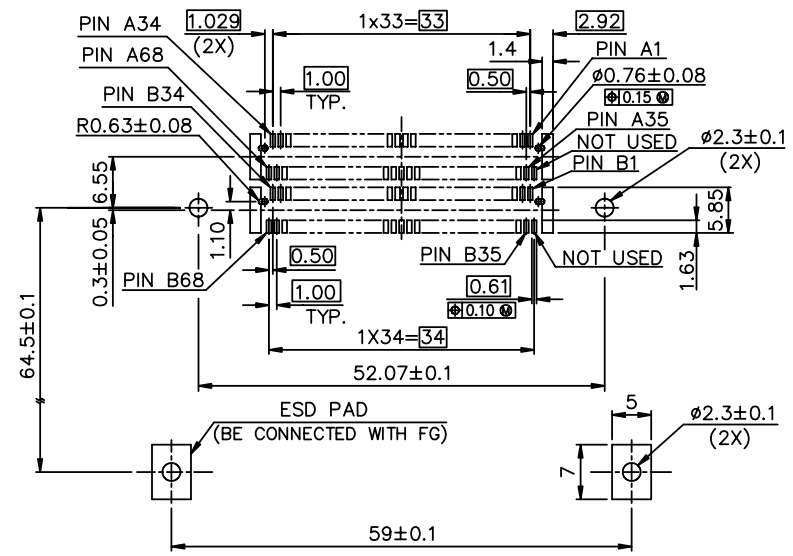
Tous droits strictement réservés. Reproduction ou communication, à des tiers int
 sous quelque forme que ce soit, sans autorisation écrite du propriétaire.
 FCJ
 Droits de reproduction BERG ELECTRONICS by

All rights strictly reserved. Reproduction or issue to third parties in any for
 whoever is not permitted without written authority from the proprietor.
 FCJ
 Copyright BERG ELECTRONICS by

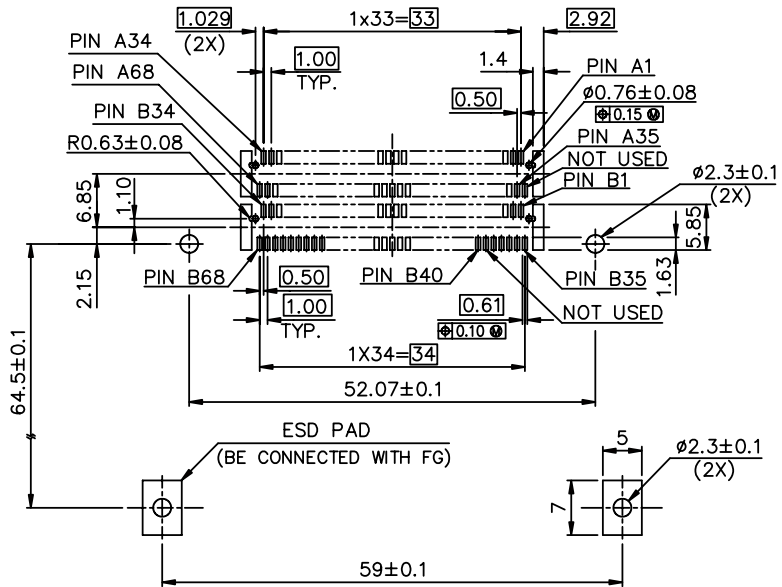
PRODUCT NO.
 95562-****
 95562-****LF



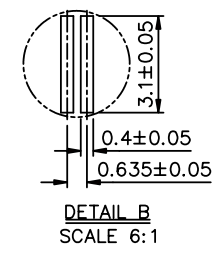
4 CARD INSERTION DIRECTION
 RECOMMENDED P.C.B. LAYOUT 4 (MOUNTED SIDE)



4 CARD INSERTION DIRECTION
 RECOMMENDED P.C.B. LAYOUT 6 (MOUNTED SIDE)



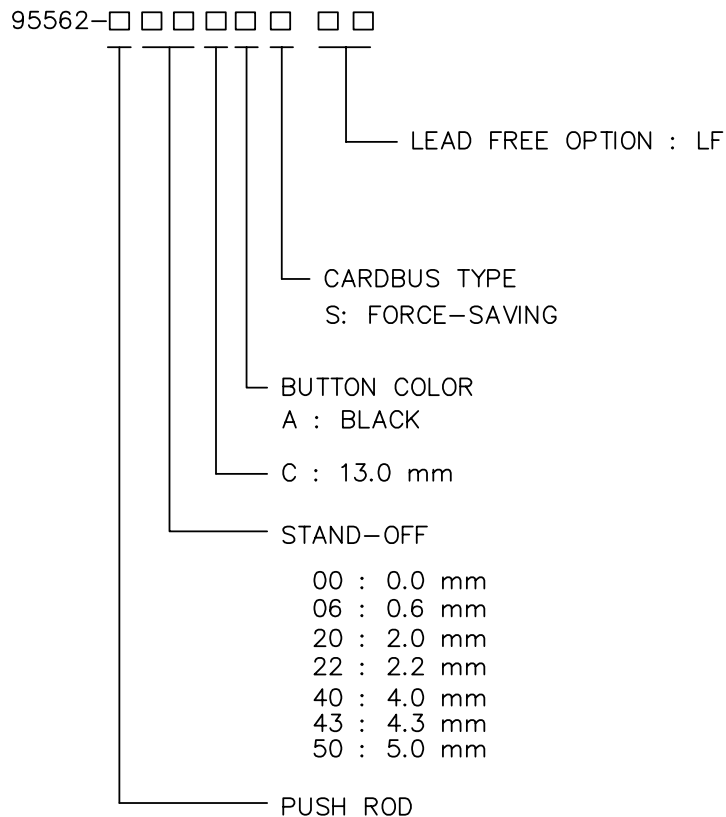
4 CARD INSERTION DIRECTION
 RECOMMENDED P.C.B. LAYOUT 5 (MOUNTED SIDE)



mat'l code		tolerance unless otherwise specified		CUSTOMER COPY		FCJ www.fcjconnect.com	
rev.	ecn no.	dr	date	linear	±0.30	projection	title
J				angles	± 2'		EJECTOR HEADER ASS'Y 68POS.SMT TYPE 1/2/3
		dr	WENDY CHEN 02/08/95	unit	mm/inch	product family	PCMQA
		enqr	JOSEPH HSIA 02/08/95	size	scale	dwg no.	code
		chr	JOSEPH HSIA 02/08/95	A3	1.5:1	95562	8 of
		appd	LELAND WANG 02/08/95				
sheet	revision						
index	sheet						

Tous droits strictement réservés. Reproduction ou communication à des tiers sans autorisation écrite du propriétaire.
 Property of c BERG ELECTRONICS.
 Copyright BERG ELECTRONICS by

PART NUMBER DESCRIPTION :



TOP MOUNT	BOTTOM MOUNT
0 : RIGHT-LEFT	5 : RIGHT-LEFT
1 : LEFT-RIGHT	6 : LEFT-RIGHT
2 : RIGHT-RIGHT	7 : RIGHT-RIGHT
3 : LEFT-LEFT	8 : LEFT-LEFT

NOTES:

1. 8mm MIN. CARD EJECT.
2. EJECT TRAVEL: 9.5mm
3. MATERIAL
 - 3.1 HEADER ASS'Y :
 - PLASTIC : HOUSING ...LCP UL94V-0 BLACK
 - PIN : COPPER ALLOY
 - PCB : FR4
 - 3.2 EJECT MECHANISM ASS'Y :
 - PLASTIC : GUIDE: POLYPHTHARAMID UL94V-0 BLACK
 - : BUTTON: POLYPHTHARAMID UL94V-0 BLACK
 - PLATE : STAINLESS
 - EMI CONTACT: PHOSPHOR BRONZE
 - 3.3 RECEPTACLE :
 - PLASTIC : LCP 94V-0, NATURAL.
 - PIN: BeCu
4. FINISH (PIN)
 - UNDER PLATING : 0.5µm MIN. Ni
 - CONTACT AREA : 0.1µm MIN. GOLD OVER
 - 0.5µm MIN. Pd-Ni
 - SOLDER TAIL : 2.5µm MIN. Sn-Pb(FOR TIN LEAD OPTION)
 - : 2.5µm MIN. PURE TIN (FOR LEAD FREE OPTION)
- ⑤ PUSH ROD LOCATION AND P.C.B. SIDE ARE AS APPEARS INSTALLED.
6. DIM "X"

4.25±0.1	3.5±0.1	5.0±0.1
OTHERS	36,67	1,17,34,35,51,68
7. DO NOT TOUCH AND KEEP CLEAN THE SURFACES OF PCB OF HEADER.
8. IF LEAD FREE P.N.THE HOUSING WILL WITHSTAND EXPOSURE TO 260°C PEAK TEMPERATURE FOR 10 SECONDS IN A WAVE SOLDER APPLICATION WITH A 1.00MM MINIMUM THICK CIRCUIT BOARD.
9. IF LEAD FREE P/N.THE PRODUCT MEETS EUROPEAN UNION DIRECTIVES AND OTHER COUNTRY REGULATIONS AS DESCRIBED IN GS-22-008
10. LEAD FREE P/N PACKAGING MEETS GS-14-920 SPECIFICATION

mat'l code		tolerance unless otherwise specified		CUSTOMER COPY	 www.fcjconnect.com
rev. J	ecn no.	dr	date	linear ±0.30	
				angles ± 2°	 title EJECTOR HEADER ASS'Y 68POS. SMT, TYPE 1/2/3
				dr WENDY CHEN 02/29/00	product family PCMOA
				enr JOSEPH HSIA 02/29/00	code
				chr JOSEPH HSIA 02/29/00	size dwg no.
				appd LELAND WANG 02/29/00	scale 1:1
sheet	revision				95562
index	sheet				sheet 9 of